

**NEMA 4/12 - ENCLOSURE**  
**19" RACKMOUNT - 42U HEIGHT**  
**FREE STANDING**

**78" H x 48" W x 24" D**  
**4 DOOR DESIGN**



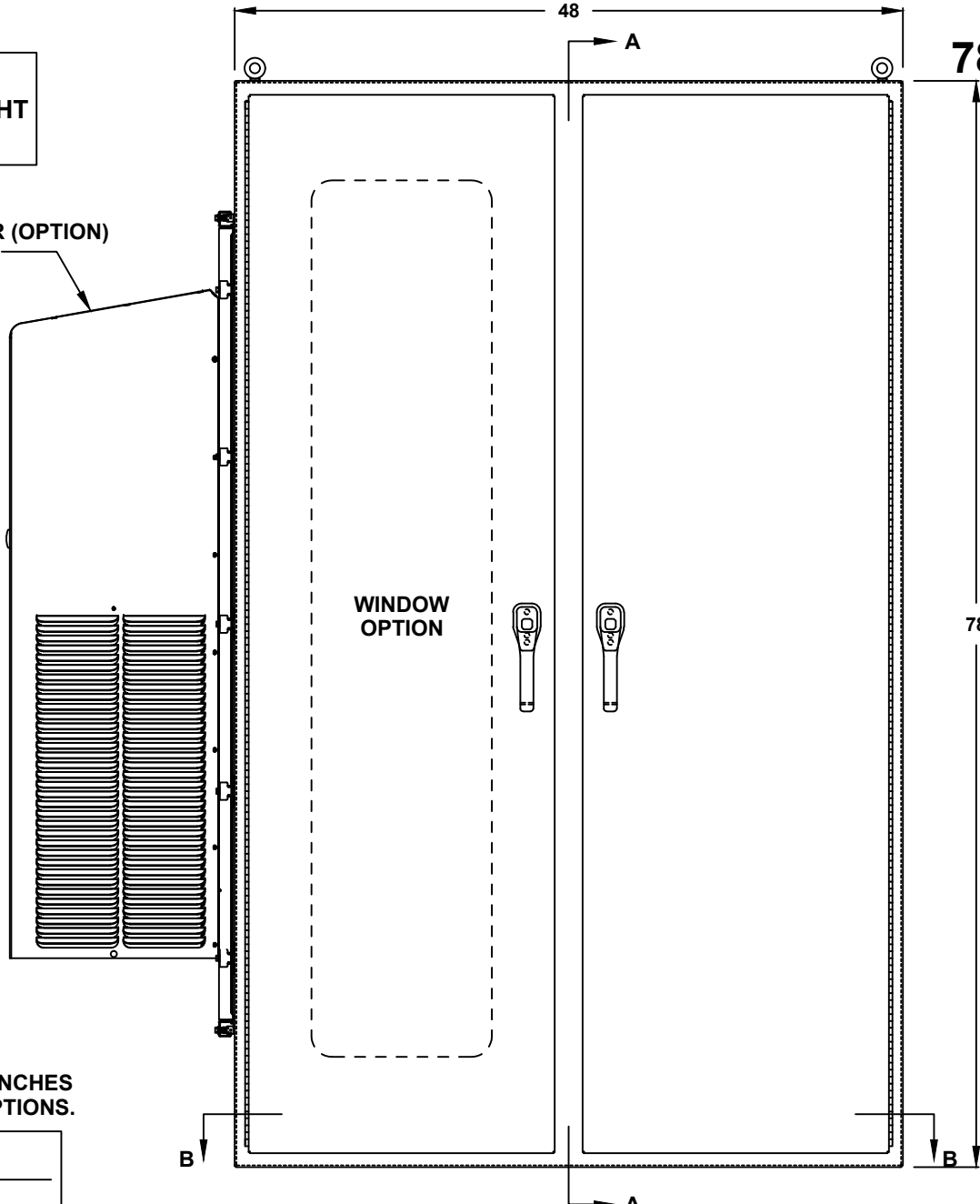
FILE NUMBER: E507642

AIR CONDITIONER (OPTION)  
 REF. TO PAGE 2

- ENCLOSURE MATERIAL**
- POWDER COATED STEEL (CS)
  - POWDER COATED ALUMINUM (AL)

- POWDERCOAT COLOR**
- WHITE
  - LIGHT GRAY ANSI 70
  - DARK GRAY ANSI 61
  - BLACK
  - CUSTOM \_\_\_\_\_

- EXTENDED FLOOR DEPTH**
- 2" DEPTH
  - 4" DEPTH
  - 6" DEPTH
  - SPECIFY \_\_\_\_\_



- LIFTING EYES**
- WELDED PADEYES (STANDARD)
  - REMOVABLE PADEYES

- \*WINDOW OPTIONS**
- CLEAR WINDOW
  - TINTED WINDOW
  - TEMPERED GLASS
  - NOT REQUIRED

- DOOR HANDLES**
- PADLOCK PROVISION (STANDARD)
  - KEYLOCK (OPTION)

\*NOTE: UL & NON-UL OPTIONS AVAILABLE

ALL DIMENSIONS ARE ESTIMATED IN INCHES  
 AND MAY VARY DUE TO SELECTED OPTIONS.

\_\_\_\_\_  
 COMPANY NAME

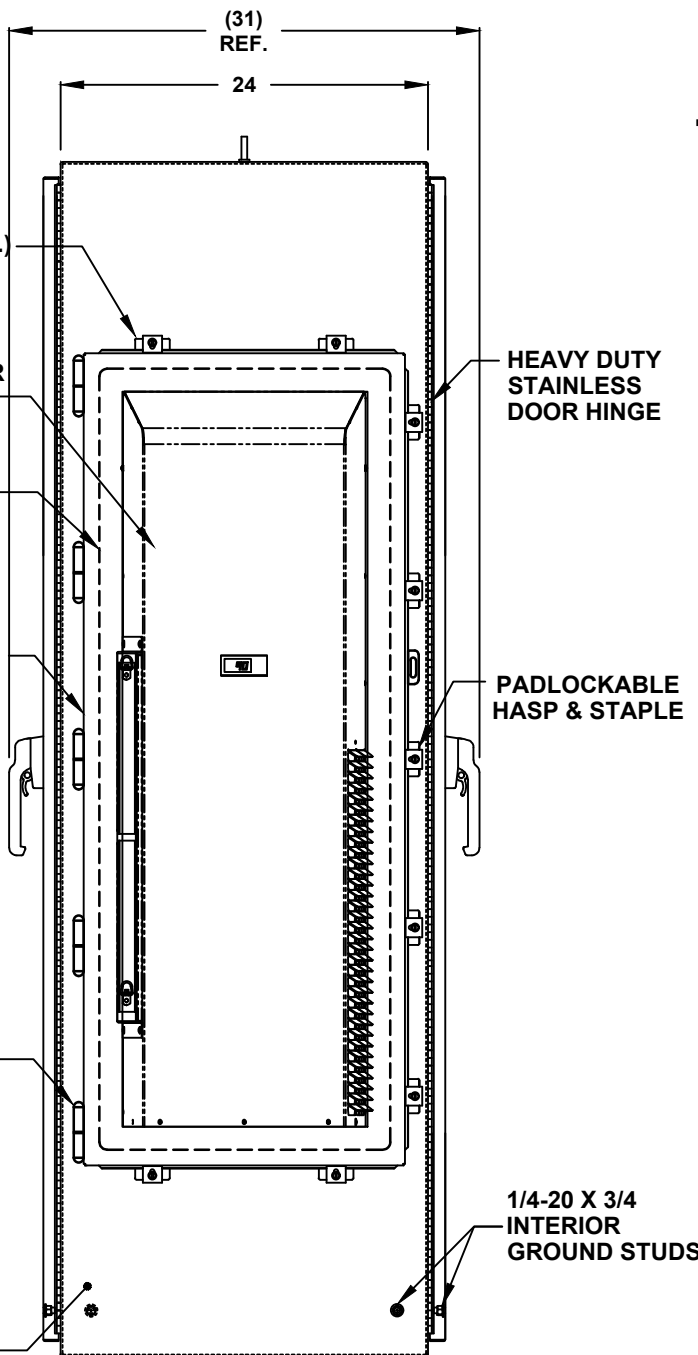
\_\_\_\_\_  
 APPROVED (PRINTED NAME)

\_\_\_\_\_  
 SIGNATURE

\_\_\_\_\_  
 DATE

**FRONT VIEW**

**78" H x 48" W x 24" D  
4 DOOR DESIGN**



**AIR CONDITIONER**

- 1000 BTU
- 2000 BTU
- 3000 BTU
- 4000 BTU
- 5000 BTU
- 6000 BTU
- 8000 BTU
- 10000 BTU
- 12000 BTU
- 15000 BTU
- 20000 BTU
- SPECIFY \_\_\_\_\_
- NOT REQUIRED

**A/C VOLTAGE/ HZ**

- 115 VOLTS
- 230 VOLTS
- 480 VOLTS
- 60 HZ
- 50 HZ
- 48 VDC (CS011 / NE040 A/C ONLY)

**A/C INTEGRATED HEATER**

- 350 WATTS (CS011 A/C ONLY)
- 500 WATTS (C3020)
- 1000 WATTS
- EXTERNAL HEATER

**ADDITIONAL A/C OPTIONS**

- CORROSION PROTECTION PACKAGE
- DRY CONTACT (OUTPUT SIGNAL)
- 2" DEEP FILTERS
- PROXIMITY SWITCH (ON/OFF)

**AIR CONDITIONER- SCADA**

- MOBUS RTU 485 (2 WIRE) REMOTE NETWORK ETHERNET CONNECTION
- MOBUS GATEWAY ADD-ON

**SUN REFLECTIVE SOLUTION**

- TOP SUNSHIELD COVER

**THERMAL SPECIFICATIONS**

- OUTSIDE (AMBIENT) \_\_\_\_\_ °F
- INTERIOR TEMP. \_\_\_\_\_ °F
- HEAT LOAD (WATTS) \_\_\_\_\_
- SUN / SHADE \_\_\_\_\_

**ENCLOSURE INSULATION**

- 1/2 RADIANT BARRIER (STANDARD)
- 3/4 RADIANT BARRIER
- 1 RADIANT BARRIER
- NOT REQUIRED

**A/C SERVICE DOOR**

- INSTALL A/C SERVICE DOOR
- NOT REQUIRED

**A/C SERVICE DOOR HINGE**

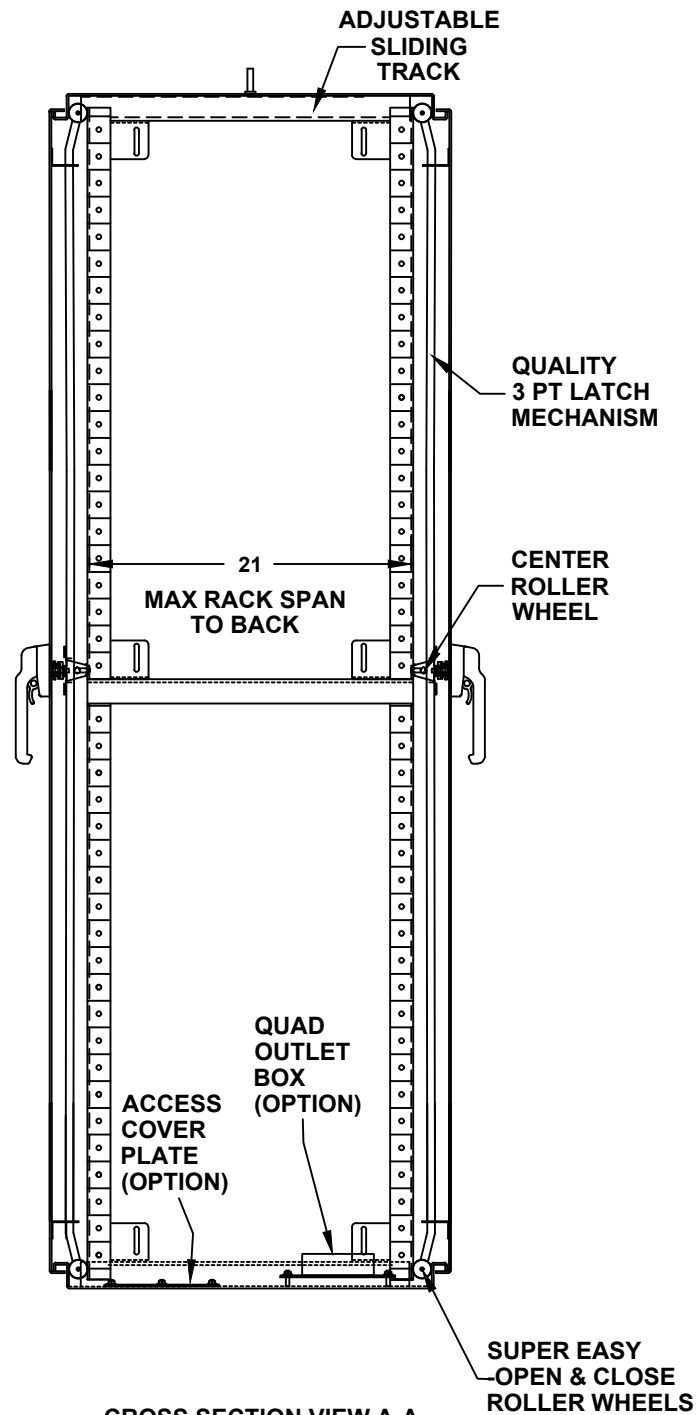
- REMOVABLE HINGE
- CONTINUOUS HINGE

**A/C ADAPTOR PLATE**

- INSTALL A/C ADAPTOR PLATE
- NOT REQUIRED

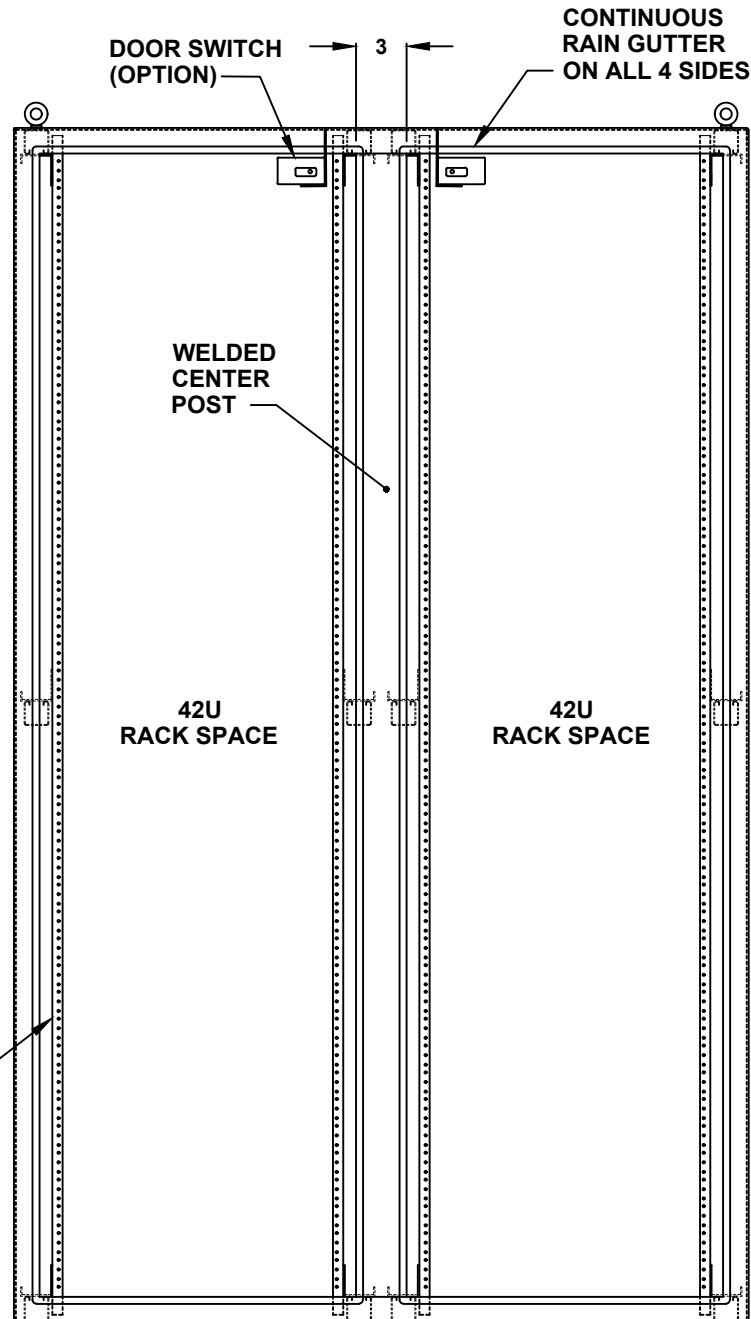
LEFT SIDE

78" H x 48" W x 24" D  
4 DOOR DESIGN



CROSS SECTION VIEW A-A

**78" H x 48" W x 24" D  
4 DOOR DESIGN**



- RACK RAIL OPTIONS**
- BLACK CLIP NUTS, #10-32, (100 EA.)
  - #10/32 HIGH POINT SCREWS (100 EA.)
  - M6 CAGE NUTS

- DOOR OPTIONS**
- DOOR SWITCH
  - ELECTROMAGNETIC LOCK
  - PRINT POCKET

- CENTER POST**
- WELDED (STANDARD)
  - REMOVEABLE

- RACK RAIL POST**
- QTY 4 POST
  - QTY 8 POST (REARDOOR REQUIRED)

- RACK RAIL MATERIAL**
- POWDER COATED STEEL (STANDARD)
  - 304 STAINLESS STEEL

- RACK RAIL MOUNTING HOLES**
- #10-32 TAP (STANDARD)
  - #1/4-20 TAP
  - 3/8 SQUARE

- RACK RAIL TYPE**
- STANDARD GRADE
  - HEAVY DUTY RAILS (OPTION)

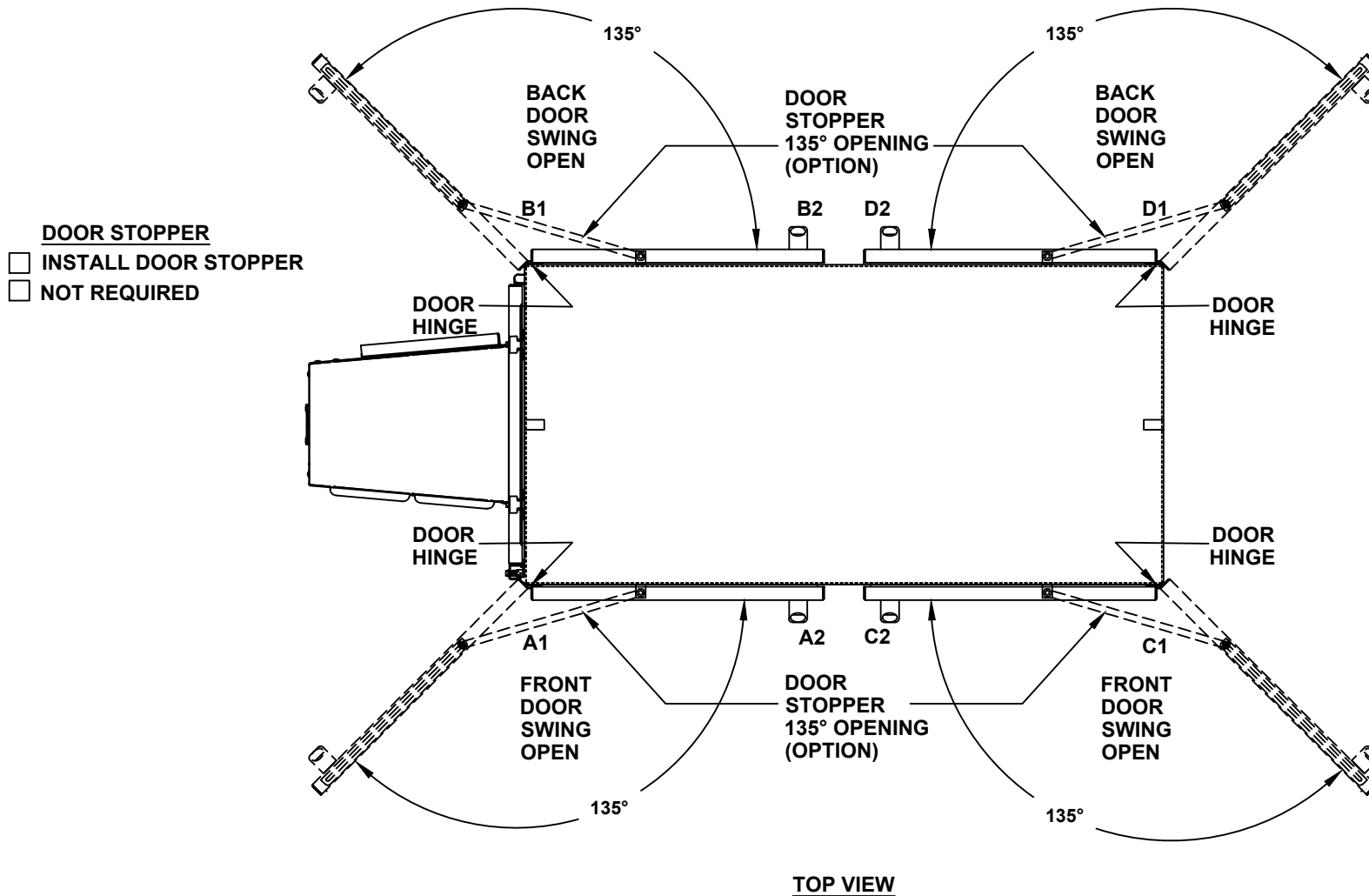
- RACK SHELVES (OPTION)**
- STANDARD RACK SHELVES
  - SLIDING RACK SHELVES
  - RACK SHELF SUPPORT

- RACK DRAWERS (OPTION)**
- RACK DRAWERS
  - LAPTOP DRAWERS

- OTHER OPTIONS**
- 19" RACK COPPER BUSBAR
  - VERTICAL RACK PDU

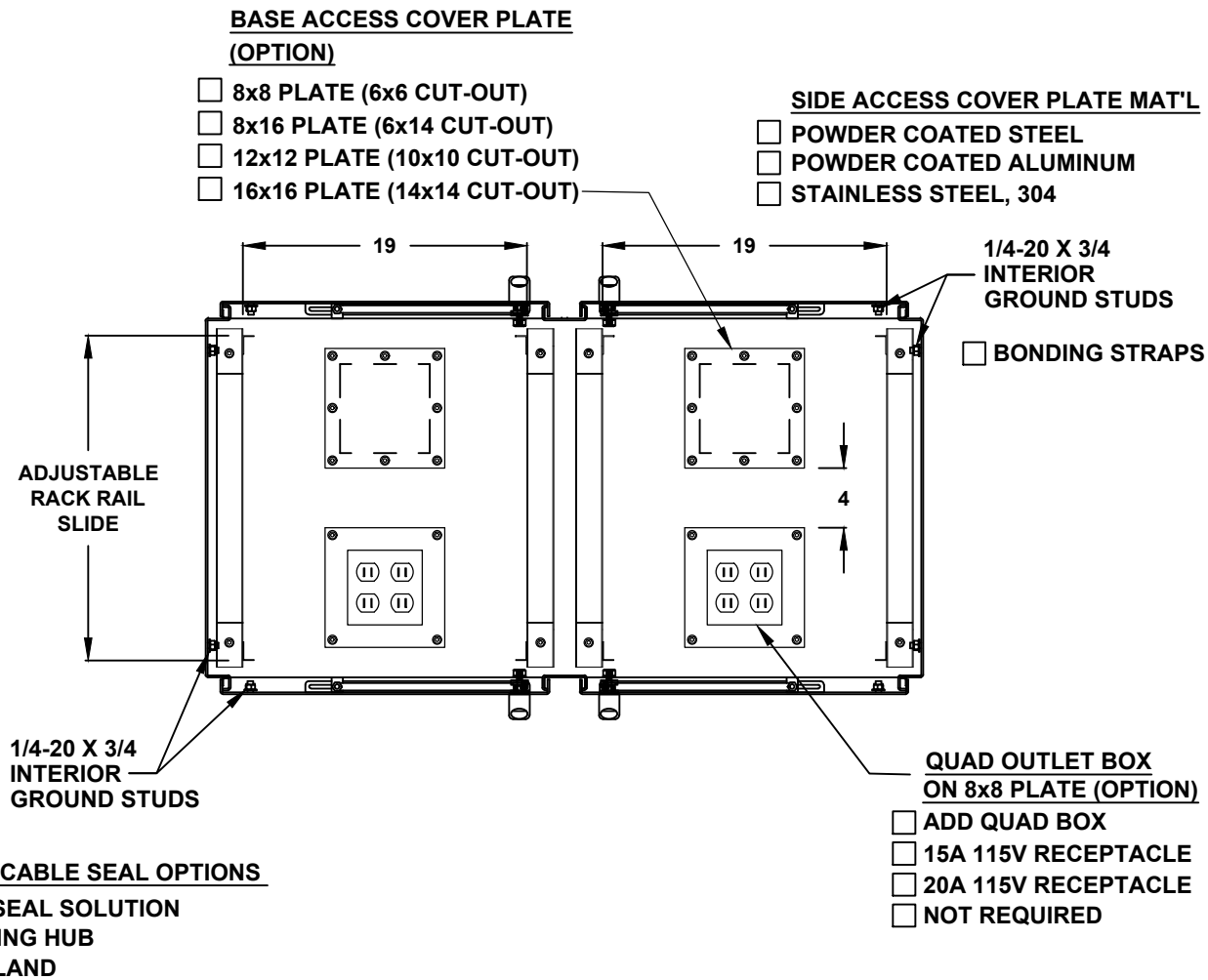
**FRONT VIEW WITH DOOR REMOVED**

# 78" H x 48" W x 24" D 4 DOOR DESIGN



- DOOR STOPPER**
- INSTALL DOOR STOPPER
  - NOT REQUIRED

# 78" H x 48" W x 24" D 4 DOOR DESIGN



TOP CROSS SECTION VIEW B-B